



The Bowl

Proactive Monitoring Made Simple

Part #: See below

The ultimate 2-in-1 accessory, the Bowl serves as both a sight glass and BS&W bowl. Made of impact-resistant Tritan™, the Bowl is stronger than other drain port sight glasses, crystal clear and chemically resistant.

The distinctive contour design allows for immediate visual inspection of the oil, along with early detection of potential contamination problems such as water and sediment.

Providing a visual indication of wear debris while the machine is running, the Bowl's rare earth magnetic drain plug also protects machinery by attracting and drawing wear particles to the bottom, proactively preventing machine failure and enabling a thorough drain of contaminants.

Specifications

- **Application:**
Drain ports
- **Volume:**
1.0 fl.oz.
- **Threads:**
Varies (see table)
- **Dimensions:**
Varies (see table)
- **Shipping Weight:**
12 oz. each

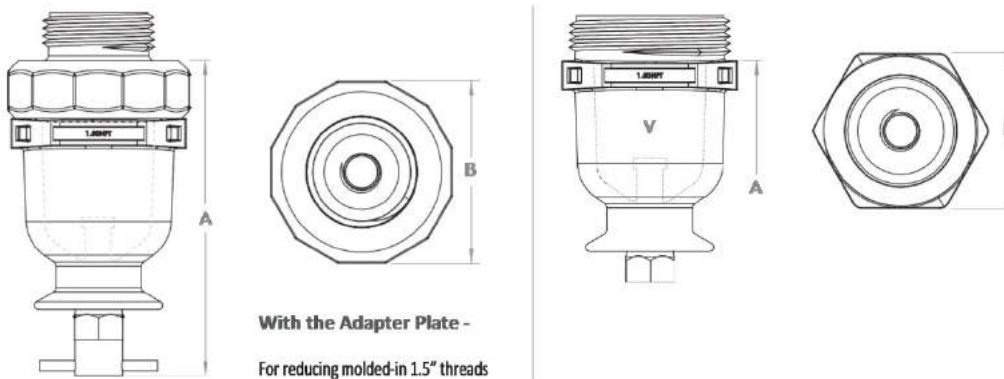


Product Data

- **Recommended Temperature:**
-40°F to 200°F (-40°C to 93°C)
- **Recommended Pressure:**
65 psi./4.5 bar
- **Sampling/Drain Valves:**
Drain valve, spiral to open, turn to lock



- **Materials:**
Bowl: high-impact Tritan™ (a crystal-clear copolyester);
Adapter: zinc-plated steel;
Drain valve: brass;
Magnet (optional): Strong neodymium rare earth magnet
- **Outdoor Compatibility:**
UV-resistant to protect against long-term sun exposure
- **Chemical Compatibility:**
Resistant to mineral and synthetic oils that are compatible with fluorocarbon elastomers (Viton™) and PMMA (acrylic) plastic
- **Includes:**
Bowl, drain valve with optional magnet and adapter plate if required



A = Width B = Length V = volume

Product Data



Features:

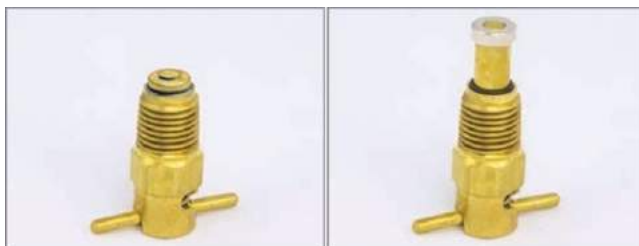
- **4X Stronger** - Made of high-impact Tritan™, a chemically resistant, crystal-clear copolyester
- **Single-piece Design** - Molded-in 1.5" NPT male threads to eliminate potential leak points
- **360° View** - Large viewing surface with no obstructions for easy viewing of the oil
- **Rounded Bottom** - Patent-pending design for easy viewing and purging of sediment and water
- **Hex Nut** - Easy wrench installation
- **Magnet** - For capturing and viewing of wear debris (optional)
- **Brass Drain Valve** - Spiral open, turn to lock
- **Shield** - Molded in to protect the valve
- **Eyelets** - Attach ID tags and other information



Part Numbers:

Description		Part #	Width	Length	Volume
1/2" NPT		BOWL.050	3.7"	2 1/8"	1.0 fl.oz.
1/2" NPT	Magnetic	BOWL.050.MAG	3.7"	2 1/8"	1.0 fl.oz.
3/4" NPT		BOWL.075	3.7"	2 1/8"	1.0 fl.oz.
3/4" NPT	Magnetic	BOWL.075.MAG	3.7"	2 1/8"	1.0 fl.oz.
1" NPT		BOWL.100	3.7"	2 1/8"	1.0 fl.oz.
1" NPT	Magnetic	BOWL.100.MAG	3.7"	2 1/8"	1.0 fl.oz.
1 1/2" NPT		BOWL.150	3.0"	1 13/16"	1.0 fl.oz.
1 1/2" NPT	Magnetic	BOWL.150.MAG	3.0"	1 13/16"	1.0 fl.oz.

Accessories



Drain Valve

Magnetic Drain Valve

Product Data



ENLUSE